



MULTIPLE ANGLE SEAT CUTTING TIPS

PART NO	SEAT Width x Angle	TOP Width x Angle	THROAT ANGLE
NWN4081	0.6 X 45°	2.0 X 37°	60°
NWN4028	1.0 X 45°	1.2 X 30°	60°
NWN4028B	1.0 X 45°	1.2 X 30°	60°
NWN2102	1.0 X 30°	1.4 X 15°	60°
NWN1102	1.0 X 45°	1.4 X 25°	60°
NWN4577	1.0 X 45°	1.5 X 30°	60°
NWN4577Z6	1.0 X 45°	1.5 X 30°	60°
NWN4030	1.0 X 45°	1.6 X 35°	55°
NWN4031	1.0 X 45°	1.6 X 35°	60°
NWN2103	1.0 X 30°	1.8 X 15°	60°
NWN4090	1.0 X 45°	1.8 X 30°	60°
NWN1105	1.0 X 45°	3.0 X 25°	60°
NWN5043	1.0 X 45°	1.6 X 30°	60°
NWN5043B	1.0 X 45°	1.6 X 30°	60°
NWN4352	1.1 X 45°	2.5 X 38°	60°
NWN3023	1.3 X 30°	1.0 X 15°	45°
NWN3060	1.3 X 30°	1.8 X 15°	60°
NWN4032	1.3 X 45°	1.0 X 30°	60°
NWN102BZ6	1.3 X 45°	2.0 X 39°	60°
NWN4033	1.3 X 45°	2.0 X 37°	52°
NWN4034	1.3 X 45°	2.0 X 30°	52°
NWN4035	1.3 X 45°	2.0 X 30°	60°
NWN1142	1.4 X 45°	1.4 X 25°	60°
NWN4036	1.4 X 45°	1.0 X 30°	60°
NWN2152	1.5 X 30°	1.4 X 15°	60°
NWN4003	1.5 X 45°	1.4 X 25°	60°

Auto & Industrial Equipment P/L

mob: 0488 911 200

tel: 03 9397 0969

sales@autoindustrialequip.com.au

2 / 33 Macaulay St

Williamstown Nth VIC 3016

PART NO	SEAT Width x Angle	TOP Width x Angle	THROAT ANGLE
NWN2153	1.5 X 30°	1.8 X 25°	60°
NWN2153Z6	1.5 X 30°	1.8 X 25°	60°
NWN4126	1.5 X 45°	1.5 X 35°	53°
NWN4037	1.5 X 45°	1.8 X 37°	52°
NWN4038	1.5 X 45°	1.8 X 30°	60°
NWN4038Y	1.5 X 45°	1.8 X 30°	60°
NWN4094	1.5 X 45°	1.0 X 30°	60°
NWN3024	1.5 X 30°	2.0 X 0°	60°
NWN3025	1.5 X 30°	3.0 X 20°	60°
NWN4601	1.6 X 46°	1.0 X 35°	55°
NWN4039	1.6 X 45°	1.0 X 30°	60°
NWN3027	1.8 X 30°	1.4 X 15°	60°
NWN4041	1.8 X 45°	1.6 X 30°	60°
NWN3010	1.9 X 30°	1.8 X 15°	60°
NWN3029	1.9 X 30°	2.0 X 15°	60°
NWN4042	1.9 X 45°	1.2 X 30°	60°
NWN4043	2.0 X 45°	1.2 X 30°	60°
NWN2202	2.0 X 30°	1.4 X 15°	60°
NWN1202	2.0 X 45°	1.4 X 25°	60°
NWN5417	2.0 X 37.5°	2.0 X 30°	60°
NWN2252	2.5 X 30°	1.4 X 15°	60°
NWN1252	2.5 X 45°	1.4 X 25°	60°
NWN3032	2.5 X 30°	2.0 X 15°	60°
NWN3031	2.8 X 30°	2.0 X 0°	60°
NWN1303	3.0 X 45°	1.8 X 25°	60°

Auto & Industrial Equipment P/L

mob: 0488 911 200

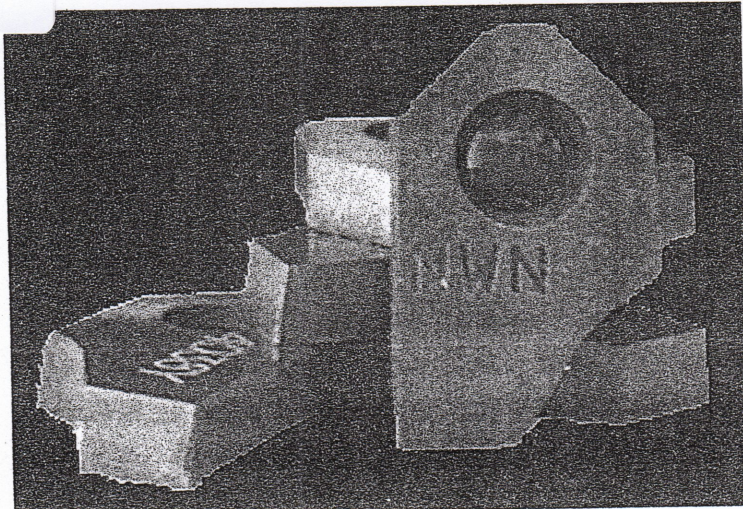
tel: 03 9397 0969

sales@autoindustrialequip.com.au

2 / 33 Macaulay St

Williamstown Nth, VIC 3016

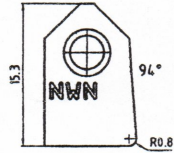
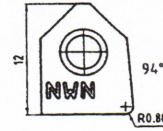
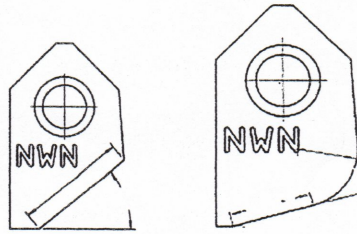
NEWEN®



SINGLE ANGLE	PART NUMBER
20	NWN20
20	NWN20Z6
25	NWN25
30	NWN30
30	NWN30Y*
30	NWN30Z6
37	NWN37
45	NWN45
45	NWN45Y*
60	NWN60
70	NWN70
75	NWN75

RADIUS CUTTER	PART NUMBER
R4.5	NWN21045
R5.0	NWN21050

COUNTER BORING	PART NUMBER
	NWN90-12
	NWN90-16
	NWN90-16Y

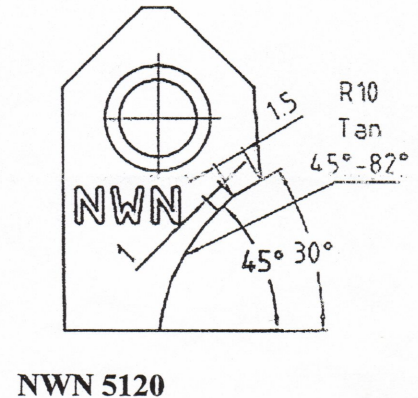
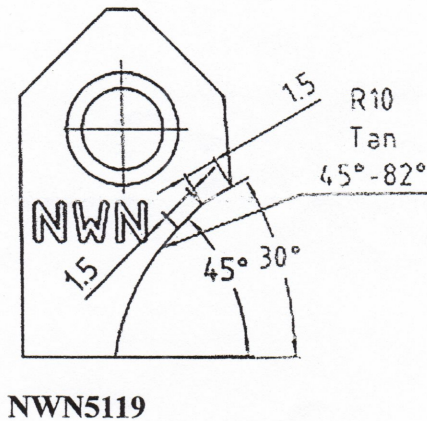
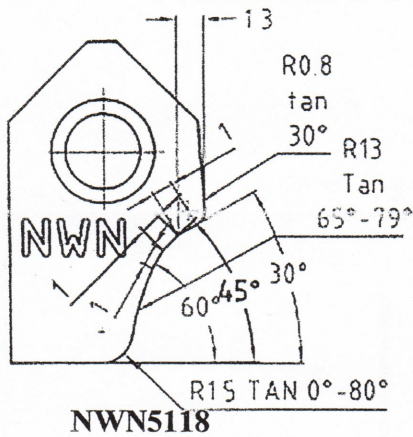


Z6 = 6 DEGREES RELIEF ANGLE
Y* = 8 DEGREES RELIEF ANGLE

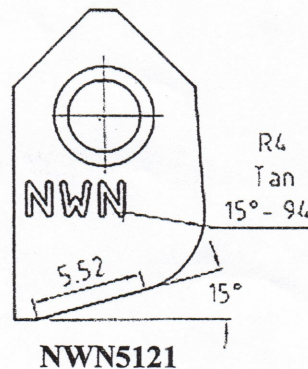
NEWEN

PERFORMANCE TIPS

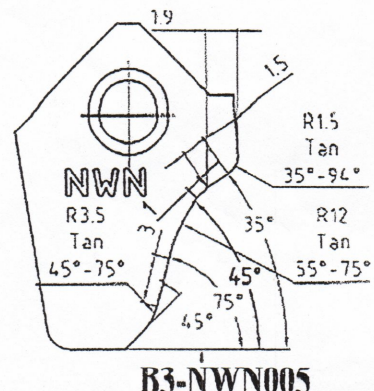
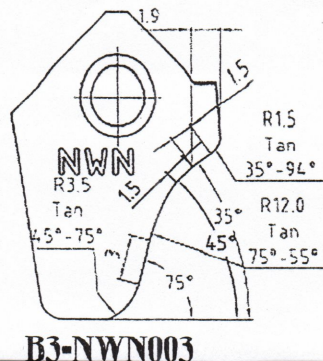
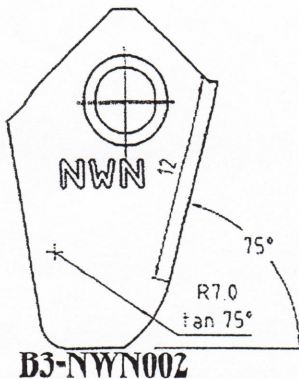
OTHER PERFORMANCE PROFILES AVAILABLE ON REQUEST



Genuine **NEWEN** Carbide Tips are Cut One at a Time Guaranteeing Maximum Precision! Look For NWN!



NEWEN



Auto & Industrial Equipment P/L

mob: 0488 911 200

tel: 03 9397 0969

sales@autoindustrialequip.com.au

2 / 33 Macaulay St

Williamstown Nth, VIC 3016



Auto & Industrial Equipment P/L

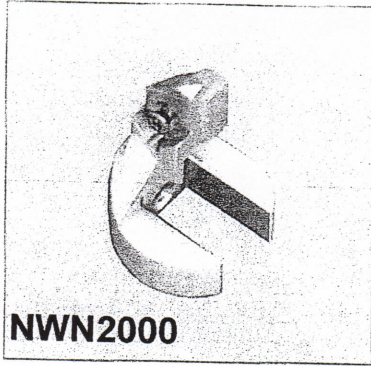
mob: 0488 911 200

tel: 03 9397 0969

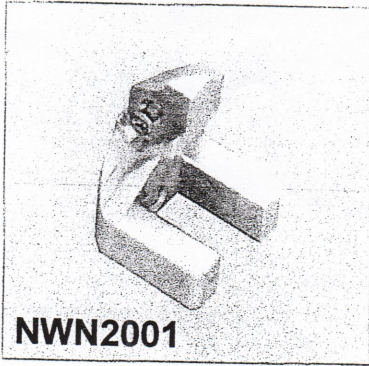
sales@autoindustrialequip.com.au

TOOLING

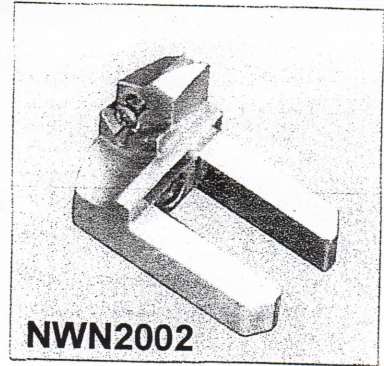
2 / 33 Macaulay St
Williamstown Nth, VIC 3016



NWN2000



NWN2001



NWN2002



NWN2003

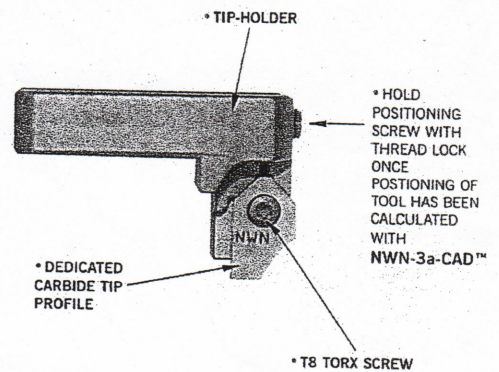


NWN2004

TIP HOLDERS



LARGE RANGE OF CARBIDE TIPS AND STEEL PILOTS



REPLACEMENT PARTS
AND SPECIAL CARBIDE
PROFILES